



The lightweight, compact Uplite Cargo hoists combine transportability with various lifting capacities for cost-effective, productive material lifting on light-duty applications.

## Uplite Cargo - Strong, Compact, Portable

### Superior Design for Light-duty Lifting Applications

Versatile for your specific site needs with payloads of 100,300, and 500 kg and speeds from 5 to 30 m/min

Durable design including robust aluminum case, IP54 motor and junction box, and connection box with safeties

Unlimited lifting height due to our continuous traction principle, rope with thimble, and hook up to 300 m

Easily transportable due to light weight and compact design

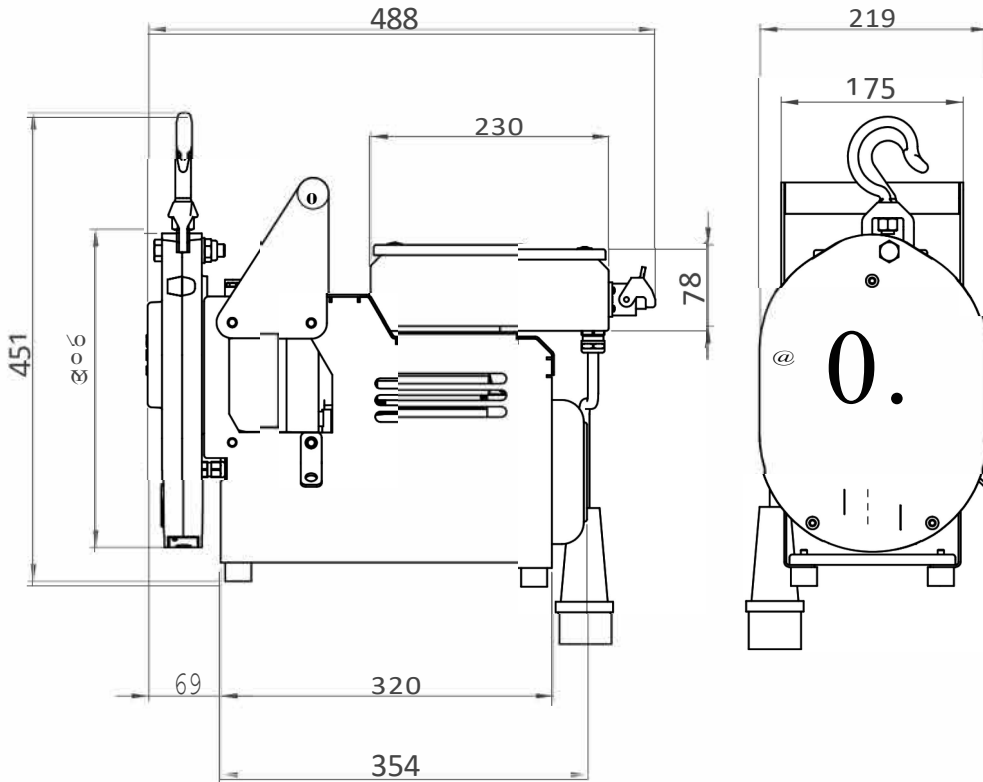
Improved hoist life and performance from detailed quality assurance program for manufactured components

EN 1808 certified, and quality made in Germany in our ISO 9001 :2008 factory





Made in our ISO 9001 factory in Germany.



We design, manufacture, and distribute the highest quality hoists and suspended access systems in the market.



Regardless of your location, we have a team of support professionals to assist with all your powered access equipment needs.

With a variety of capacities and speeds in our Uplite Cargo series, there is a material hoist for all your light-duty lifting applications.

## Uplite Cargo Series Specifications

Model	Payload (kg)	RopeØ (mm)	Rated Speed (m/min)	Voltage (50 Hz) (V)	Rated Power (50 Hz) (kW)	Weight (kg)
M106 CE15	100	6	15	230	0,3	22
M106 CE30	100	6	30	230	0,75	26
M306 CE5	300	6	5	230	0,3	22
M306 CE15	300	6	15	230	1,1	30
M506 CE10	500	6	10	230	1,1	30

### Power Climber

Power Climber has been engineering and manufacturing hoists, platforms, rigging equipment, safety gear, and accessories for the suspended access industry since 1972. With facilities in North America, Europe, and Asia, Power Climber distributes its products to leading rental dealers, facility owners, and contractors around the world, and backs them up with industry-leading training, customer service, and support.

### Sales and Service:

[marcus@shoreengineering.co.nz](mailto:marcus@shoreengineering.co.nz)

+64 9 622 0505

[www.shoreengineering.co.nz](http://www.shoreengineering.co.nz)